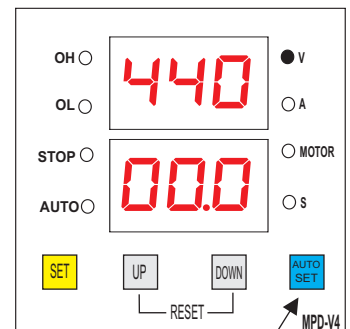


### Display Messages

Sr.	Parameter	Meaning
1	PPS	Password
2	OC	Over Current Setting
3	drY	Dry Run Current Setting
4	OV	Over Voltage Setting
5	UV	Under Voltage Setting
6	OnT	On Time Setting (Min) (Only Works In Manual)
7	OFt	Off Time Setting (Min) (Only Works In Manual)
8	POn	Power On Time Setting (Sec) (Only Works In Auto)
9	t-rP	Trip Time Setting (Sec)
10	r2t	Relay 2 Time (Sec)

Sr.	Fault Msg	Meaning
10	OLF	Over Load (Over Current) Fault
11	drY	Dry Run (Under Current) Fault
12	HI	Over Voltage Fault
13	LO	Under Voltage Fault
14	FUL	Over Head Tank Full

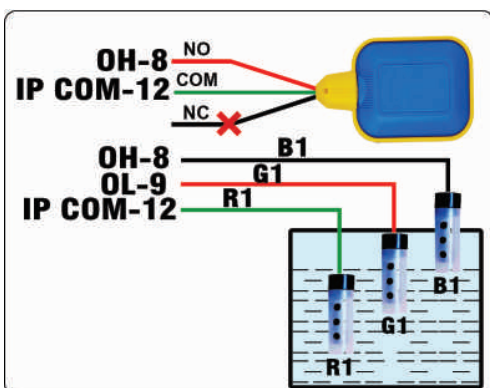
Sr.	Meaning	
15	tOn	On Time Running (Min)
16	tOF	Off Time Running (Min)



### NOTES RELATED TO WIRING

- \* Input should be " NO " Push Button (For START,STOP,AUTO)
- \* Connection 9 works as START in MANUAL MODE
- \* Connection 9 works as OL FLOAT in AUTO MODE
- \* OH FLOAT Works in Both AUTO & MANUAL MODE

\* For AutoSet  
 Press ENT Key For 3 Sec, display Will Show SET  
 Over Current Set 30% Over than Running Current.  
 Under Current Set 35% Under than Running Current.  
 Note:- Use Up & Down Key to Change Parameter Values



### Back Connection Diagram

1	L1	440V AC	I/P OH FLOAT	8
2	L2	AC	I/P OL FLOAT/START	9
3	CT		I/P STOP	10
4	CT		I/P AUTO	11
5	NO		I/P COM	12
6	COM	MOTOR RELAY	STARTING COM	13
7	NC		RELAY NO	14